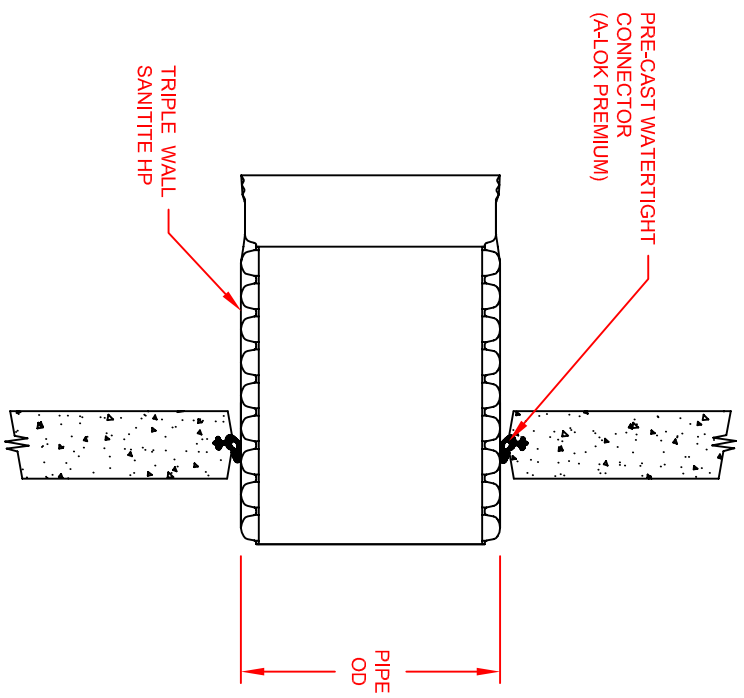


30"-60" TRIPLE WALL SANITITE® HP WATERTIGHT CONNECTION USING A PRE-CAST COMPRESSION CONNECTOR




| PIPE SIZE (IN) | PIPE OD (IN) | A-LOK PREMIUM CONNECTOR * | **MIN. MH DIAMETER (IN) |
|----------------|--------------|---------------------------|-------------------------|
| 30 | 35.3 | 1130 | 60 |
| 36 | 41.2 | 1330 | 60 |
| 42 | 47.3 | 1510 | 72 |
| 48 | 53.8 | 1707 | 72 |
| 60 | 66.7 | 2080 | 96 |

*THIRD PARTY - CODES AS SUPPLIED BY MANUFACTURER
 A-LOK is a registered trademark of A-LOK Products, Inc. (www.a-lok.com)
 **Applicable for 140-220 degree angles. For any other angle contact an ADS representative
 A-LOK Premium product codes are applicable to either round or flatwall structures

NOTES:
 PERFORMANCE HIGHLY DEPENDENT ON INSTALLATION. CONTRACTOR MUST ENSURE MANHOLE CONNECTOR IS UNIFORMLY SEATED AROUND PIPE. EXTRA PRECAUTIONS MUST BE TAKEN TO PREVENT DIFFERENTIAL SETTLEMENT BETWEEN THE PIPE AND MANHOLE.
 SEE STANDARD DETAIL STD-201 AND TECHNICAL NOTE: 5.04 CONNECTIONS TO MANHOLES AND STRUCTURES FOR INSTALLATION RECOMMENDATIONS.

| REV. | DESCRIPTION | BY | CHKD | DATE |
|------|---------------------------------|-----|------|---------|
| 5 | UPDATED INFO. & REVISED GASKETS | ECM | | 2/20/15 |

ADVANCED DRAINAGE SYSTEMS, INC. ("ADS") HAS PREPARED THIS DETAIL BASED ON INFORMATION PROVIDED TO ADS. THIS DRAWING IS INTENDED TO DEPICT THE COMPONENTS AS REQUESTED. ADS HAS NOT PERFORMED ANY ENGINEERING OR DESIGN SERVICES FOR THIS PROJECT, NOR HAS ADS INDEPENDENTLY VERIFIED THE INFORMATION SUPPLIED. THE INSTALLATION DETAILS PROVIDED HEREIN ARE GENERAL RECOMMENDATIONS AND ARE NOT SPECIFIC FOR THIS PROJECT. THE DESIGN ENGINEER SHALL REVIEW THESE DETAILS PRIOR TO CONSTRUCTION. IT IS THE DESIGN ENGINEER'S RESPONSIBILITY TO ENSURE THE DETAILS PROVIDED HEREIN MEETS OR EXCEEDS THE APPLICABLE NATIONAL, STATE, OR LOCAL REQUIREMENTS AND TO ENSURE THAT THE DETAILS PROVIDED HEREIN ARE ACCEPTABLE FOR THIS PROJECT.

| | | | | |
|---|--|---|--|---|
| WATERTIGHT STRUCTURE 30"-60" SANITARY DETAIL | |  ADVANCED DRAINAGE SYSTEMS, INC. 4640 TRUEMAN BLVD HILLIARD, OHIO 43026 | DRAWING NUMBER: STD-205B | DATE: 4/3/09 SCALE: NTS SHEET: 1 OF 1 |
| JAB | | | DATE: 2/20/15 BY: MM/DD/YY CHKD: | PROJECT NO: |